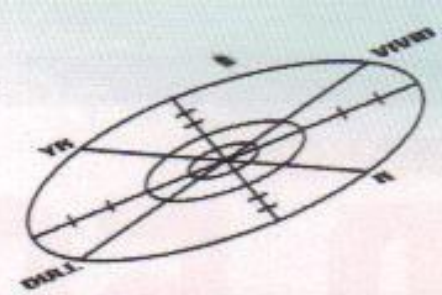


NEW MODEL

NP 500T

Laser Particle Counter for Clean Water



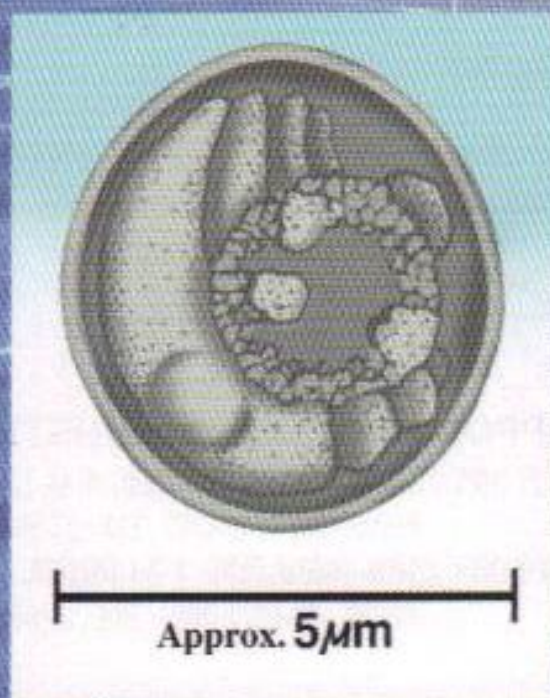
NIPPON
Advanced Technology In Color and Brightness.
DENSHOKU

Turbidity measurement & Particle Counting at the same time

**Light-
Compact Size**



**Harmful to tap water
Cryptosporidium**



- Capability of turbidity measurement and particle counting at the same time is most appropriate to meet the guideline.
- Irradiation on all the detecting area and total amount measurement will not overlook any particle. (Refer to the plan of principle.)
- Judgement is easy in one glance since the same particle sizes as those of cryptosporidium and giardia are sorted out.
- A long life semi-conductor laser is used as a light source.
- Output signals of RS-232C and 4-20mA (4channels) are equipped as a standard configuration.
- Sample can be flowed direct into a sample inlet port from a water tap.

NEW MODEL

NP 500T

Laser Particle Counter for Clean Water

Light · Compact Size

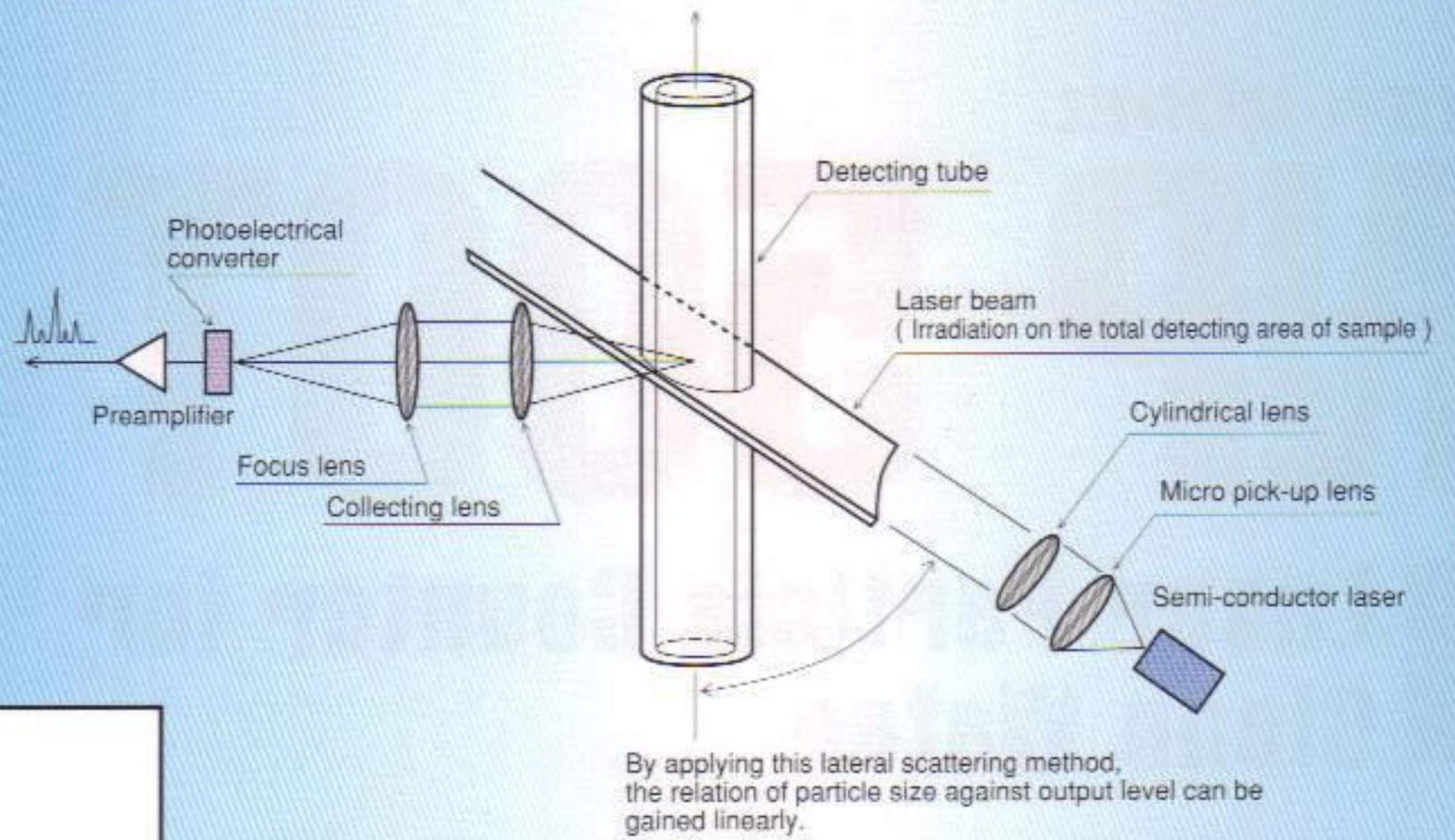


Turbidity measurement & particle counting at the same time

Features

- Capability of turbidity measurement and particle counting at the same time is most appropriate to meet the guideline.
- Irradiation on all the detecting area and total amount measurement will not overlook any particle. (Refer to the plan of principle.)
- Judgement is easy in one glance since the same particle sizes as those of cryptosporidium and giardia are sorted out.
- A long life semi-conductor laser is used as a light source.
- Output signals of RS-232C and 4-20mA (4 channels) are equipped as a standard configuration.
- Sample can be flowed direct into a sample inlet port from a water tap.

Plan of Principle



Standard Specifications

Light source	Semi- conductor laser
Optical method	Lateral scattering
Particle size	6 channels for 0.5~1 μm, 1~3 μm, 3~7 μm (same particle size as that of cryptosporidium), 7~12 μm, (same particle size as that of giardia), 12~15 μm, and more than 15 μm.
Flow rate	50ml / min.
Measuring range	7 digits for particle counting 0.0001~1.0 NTU for turbidity (selective to mg/l)
Measuring time	6 sec.~60 sec. (free setting) / accumulated time of particle data
Measuring interval	1 sec.~99min. 59 sec. (free setting or without interval) / Time from a start of measurement to a next start of measurement
Display (back-lighted LCD)	● Particle size : 2 digits ● Data : 7 digits of counted particle (single value, total value & area value) 4 digits below decimal point (1 integer digit) of turbidity
Alarm	Free setting for the upper limit of counted particle and turbidity Buzzer sound or relay a-contact output (3 channels) ● Relay contact output : Counted particle, turbidity and instrumental abnormality
Data output	RS-232C : 1 channel Centronics : 1 channel 4-20mA : 4 channels (at 250Ω allowable load resistance) ● Particle data (3 channels) / turbidity data (1 channel) ● Setting is possible for the resolution.
External control	Start, stop by remote control is available.
Others	Unit of turbidity is selective for NTU and mg/l.
Power source	AC
Temperature & humidity	0~40°C, 0~85%RH
Dimensions (W×D×H)	175mm×260mm× 240mm
Weight	Approx. 6.5 kg

* The specifications may be partially changed without prior notice to make improvements.

VIET NAM AGENTS:

PROCHEM (VN) TRADING CO., LTD

Add : 20, 19C, BINH TRI DONG B Ward, BINH TAN Dist, HCMC, VIET NAM

Tel : 84-8-6260 1171/ 3762 0322 ~ 23

Fax : 84-8- 3762 0010